

# 3116

## MARINE PROPULSION ENGINE

304 mhp (300 bhp) 224 bkW  
355 mhp (350 bhp) 261 bkW

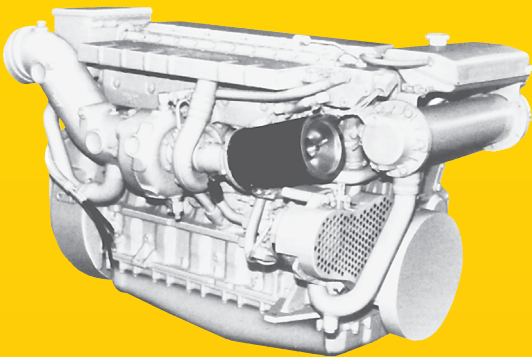


Image shown  
may not reflect  
actual engine

## SPECIFICATIONS

### I-6, 4-Stroke-Cycle-Diesel

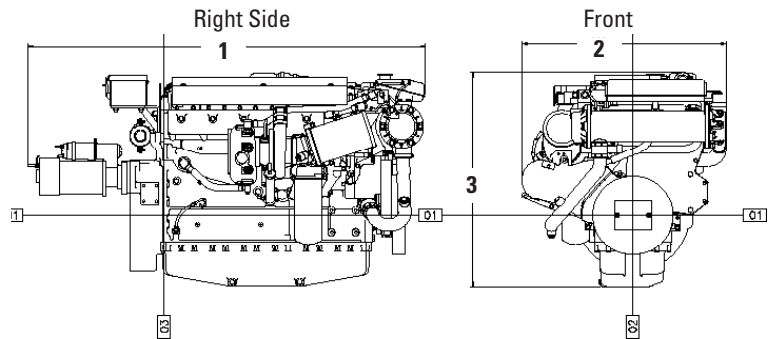
- IMO I emissions levels (2000-2010)
- 6.6 L (402 in<sup>3</sup>) displacement
- 2400-2800 rpm
- 105 mm (4.13 in) bore x 127 mm (5.0 in) stroke
- Turbocharged-aftercooled aspiration
- Mechanically governed
- Refill capacity
  - Cooling system: 28 L (7.4 gal)
  - Lube oil system: 25 L (6.6 gal)
- 250-hour oil change interval
- Counterclockwise rotation
- SAE No. 3 flywheel housing with SAE No. 3 flywheel



## STANDARD ENGINE EQUIPMENT

- Dry-type air intake
- Single-stage air cleaner with service indicator
- Watercooled exhaust manifold
- Auxiliary sea water pump
- Fuel filter
- Oil filter
- Oil filler
- Oil dipstick
- Torsional vibration damper
- Heat exchanger and expansion tank
- Engine oil cooler

## DIMENSIONS & WEIGHT



### ENGINE DIMENSIONS & WEIGHT

<b>(1) Length to Flywheel Housing</b>	1663 mm	65.5 in
<b>(2) Width</b>	816 mm	32.1 in
<b>(3) Height</b>	860 mm	33.8 in
<b>Weight, Net Dry (approx)</b>	681 kg	1500 lb

Note: Do not use these dimensions for installation design. Refer to general dimension drawing 9Y4861.

# 3116

Remanufactured

MARINE PROPULSION ENGINE



## MARINE ENGINE PERFORMANCE

### Prop Demand

300 bhp - E Rating (TM8446)

rpm	bhp	gph	bKw	g/bKw-hr
2800	300	15.8	224.0	224.0
2600	240	12.2	179.3	216.8
2400	189	9.7	141.1	217.9
2200	146	7.5	108.7	219.7
2000	109	5.7	81.6	221.6
1800	80	4.2	59.5	225.3
1600	56	3.0	41.8	235.4
1400	38	2.3	28.0	257.9
1200	24	1.6	17.6	295.8

### Prop Demand

350 bhp - E Rating (TM9693)

rpm	bhp	gph	bKw	g/bKw-hr
2800	350	19.2	261.0	233.0
2600	280	14.3	209.0	218.0
2520	255	13.0	190.3	216.8
2400	220	11.3	164.4	217.9
2200	170	8.8	126.6	220.3
2000	128	6.7	95.1	222.5
1800	93	4.9	69.3	225.0
1600	65	3.5	48.7	230.6
1400	44	2.5	32.6	245.6
1200	27	1.8	20.5	273.1

## RATING DEFINITIONS AND CONDITIONS

### E Rating (High Performance)

Typical applications: For vessels operating at rated load and rated speed up to 8% of the time up to 30% load factor. Typical applications could include but are not limited to planning hull vessels such as pleasure craft, harbor patrol, harbor master, and some fishing and pilot boats.

CAT, CATERPILLAR, their respective logos, "Caterpillar Yellow" and the "Power Edge" trade dress, as well as corporate and product identity used herein, are trademarks of Caterpillar and may not be used without permission.

U.S. Sourced  
LEHM0166-01 (10-14)

©2014 Caterpillar  
All rights reserved.  
Materials and specifications are subject to change without notice.  
The International System of Units (SI) is used in this publication.